



## Spare parts order

4/609 Princes Hwy RUSSELL VALE N.S.W 2517  
 Ph: 02 42859400 Fax: 02 4285 7091  
 e-mail : [spares@zuma.com.au](mailto:spares@zuma.com.au)

When ordering parts please advise:

Type:	Tick	Specification	Detail
Mini bike	<input type="checkbox"/>	Engine capacity	cc
Dirt bike	<input type="checkbox"/>	Transmission	Auto/Semi-Auto/Manual
ATV	<input type="checkbox"/>	No. of gears	
Go-Kart	<input type="checkbox"/>	4-stroke or 2-stroke	
Other	<input type="checkbox"/>	Starting	Electric / Kick
		Engine number:	
		Vertical or horizontal	
		Push rod or Over-head cam	

Please specify the following for parts :

**Cables:** sheath length (outer)                    mm/ cable length (inner )                    mm  
 Cable end, straight or elbow, push-in or threaded, cable end diameter    mm

**Piston parts/ valves :** include dimension as specified on last page

**Brake pads / shoes :** please trace around pads and send back with measurements shown (or send photo by e-mail)

**Wheels** – include front or rear, wheel size, steel or alloy, colour, axle diameter, hub width & bolt hole details for disc /sprocket – include diagram or send photo by e-mail.

**Electrical parts:** CDI (size, no. of pins in plug, shape of plug – send diagram or photo) stator (send photos or drawing) coil etc.. – send photo

**Levers, plastics, frame parts, instruments etc.....-** send photos by e-mail.

**Engines** – specify as in table above

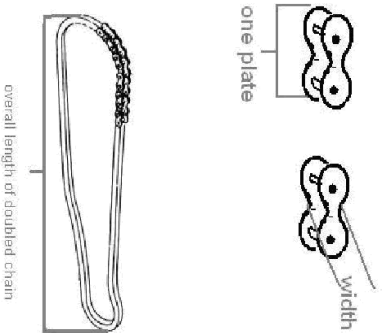
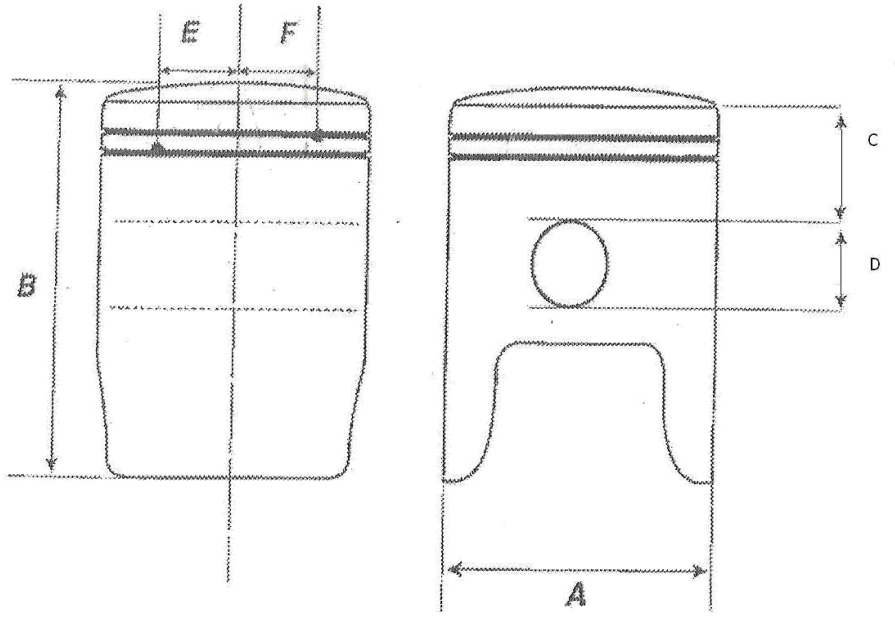
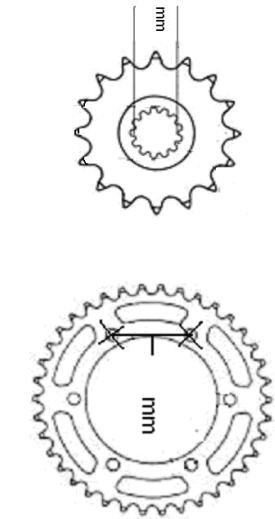
**Chains** – specify use of chain, ie: timing, drive, starter etc. Include pitch if known (eg:420, 428 for drive chain), no. of plates, measurements for chain link - see diagram on Page 2.

Specify type of chain; roller, o-ring, morse etc.

For starter or timing chains please complete **engine specifications** as shown above.

**Sprockets** – specify chain pitch (eg; 420/ 428 etc..), no. teeth, p.c.d, no of bolts (for rear), for front sprockets engine spline diameter – see diagram page 2.

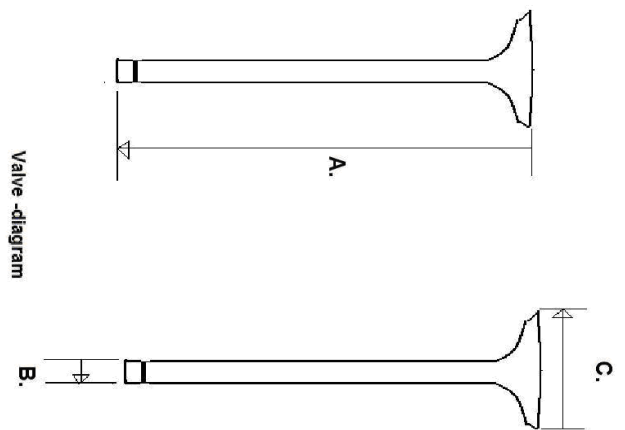
**All other parts** – send diagrams or photos by fax or e-mail



A	B	C	D	E	F	G
---	---	---	---	---	---	---

E & F relevant to 2-stroke only

A	B	C
---	---	---



Ordered by:

---



---